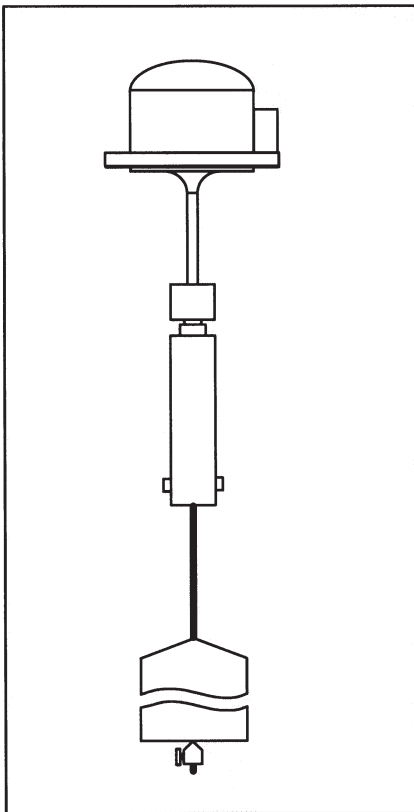




WEATHERPROOF DISPLACEMENT TYPE LEVEL CONTROLLERS WITH WIDE DIFFERENTIAL

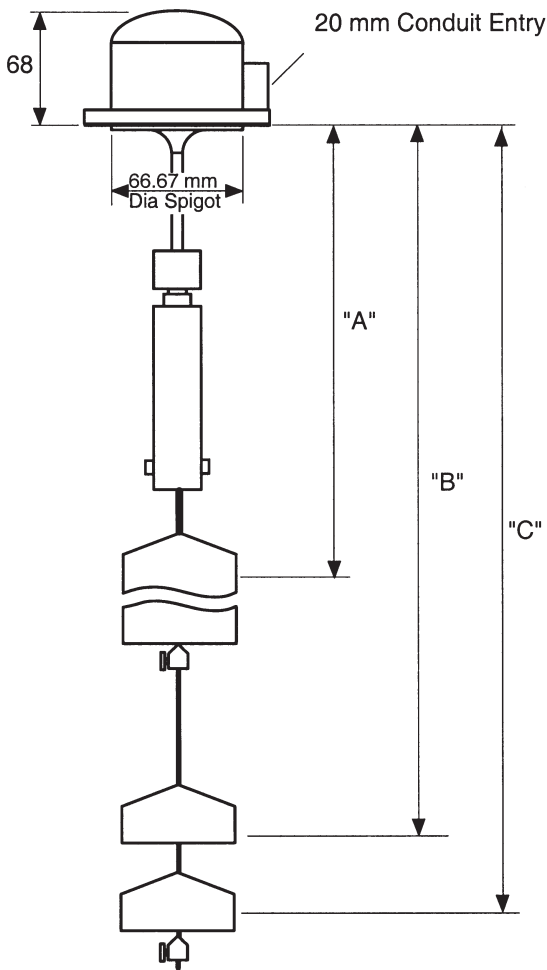


- Single or Double Displacers
- Weatherproof to IP 67
- Up to 10 Metres Tank Depth
- Use with Viscous Liquids
- High and Low Alarms
- Stainless Steel Housing
- Pump Control

The displacement type float switch is based on the principle that a solid body immersed in a liquid is subject to an upthrust equal to the weight of liquid which it displaces. As this load is rising or falling so the magnet will rise or fall a pre-determined distance under the influence of the balance spring, thus operating the appropriate reed switch to achieve the requisite condition.

The switch is fitted with two separate reed switches so that it can accommodate a high level alarm together with pump control over a wide band. The available reed switches are detailed in the table below.

A range of displacers for various specific gravities can be fitted and these are independently adjustable within the limits as specified. The standard specific gravity range is from 0.65 to 1.25 but above and below this can be made to special order.



SPECIFICATION

Materials of Construction:

Displacer - polypropylene or Stainless Steel

All other parts - Stainless Steel

Temperature Range:

Maximum 80°C with PP Displacer

Maximum 150°C with SS Displacer

Maximum Working Pressure:

5 Kg/cm²

Displacer Availability:

Polypropylene: PP

Stainless Steel: SS

Reed Switch Availability:

See Table 1 Below

Weatherproof:

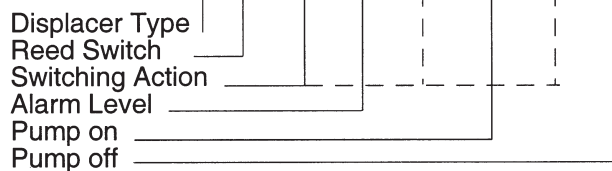
IP67

NOTES

- 1) Dimension "A" has a minimum switching level of 450 mm.
- 2) Dimension "C" has a maximum switching level of 10 M.

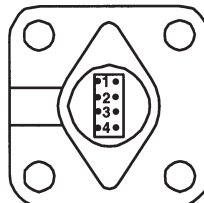
TYPICAL ORDERING CODE

FLP/FS4741/PP/250/BOR/450/MOR/1120/BOF/3500



Terminal Block Connections:

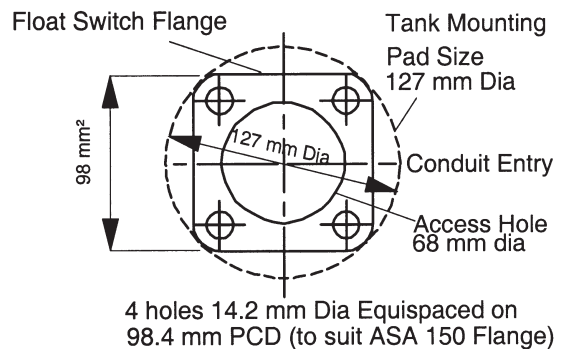
Contact			
Two Level	1	White	Top
	2	White	Top
	3	Red	Bottom
	4	Red	Bottom



DRILLING DIAGRAM

Specification	Reed Switch Designation	
	Single Pole Single Throw (SPST)	
Type :	250 RS7	500 RS10
Max voltage AC	250	440
Max voltage DC	250	
Max current amps	3.0	2.0*
Max wattage	250	500
Max surge amps	-	10*
Max operating temp	150°C	125°C
Min operating temp	-40°C	-50°C
Contacts	Rhodium	Tungsten

Table 1 (* at 240V)



4 holes 14.2 mm Dia Equispaced on 98.4 mm PCD (to suit ASA 150 Flange)



Cobham Fluid Systems Limited

Holland Way, Blandford Forum, Dorset, England. DT11 7BJ

Tel: 44 (0)1258 486600 Fax: 44 (0)1258 486601

www.cobhamfluidsystems.com

sales@cobhamfluidsystems.com

Copyright: Cobham Fluid Systems.

This publication provides outline information only, which (unless agreed by the Company in writing) may not be used, applied or reproduced for any purpose or form part of any order or contract or be regarded as a representation relating to the products or services concerned. The Company reserves the right to alter without notice the specification, design, price or conditions of supply of any product or service.

A Flight Refuelling company



A Collective Member of

IP THE INSTITUTE OF PETROLEUM