



'Y' TYPE STRAINERS LSMY SERIES



OPERATION

Y Type strainers provide economical protection for the meter capsule, using a perforated screen with a 60 or 80 mesh lining dependant on application.

The covers are furnished with a blow off outlet, and self cleaning can be achieved by opening a valve connected at this point. All strainers are individually hydrostatically tested to 300 psi.

- COMPACT HIGH STRENGTH DESIGN
- LOW PRESSURE DROP
- CHOICE OF STRAINER ELEMENTS
- STAINLESS STEEL SCREEN
- WORKING PRESSURE 150 PSI (10 BAR)

CONSTRUCTION

IRON STRAINERS - Sizes 2 1/2" to 10"

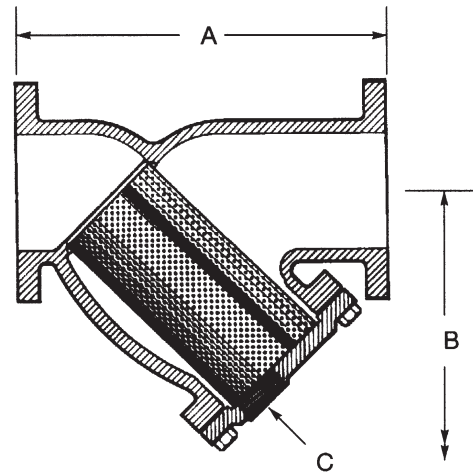
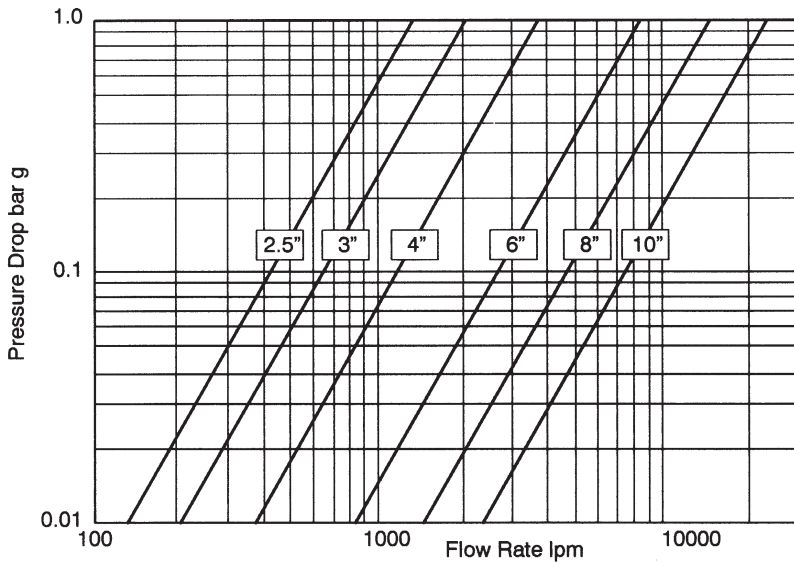
Materials	
Body/Cover	Cast Iron BS1452 gr 260 (ASTM A126-B)
Flanges	ASA 125FF
Drain Plugs	Malleable Iron

STEEL STRAINERS - Sizes 2 1/2" to 10"

Materials	
Body/Cover	Cast Carbon Steel (ASTM A216WCB)
Flanges	ASA 150
Drain Plug	3/4" NPT

IRON STRAINERS

SIZE	2.5" (65 mm)	3" (75 mm)	4" (100 mm)	6" (200 mm)	8" (250 mm)	10" (250 mm)
A	254 mm	257 mm	307 mm	470 mm	550 mm	660 mm
B (Screen removal)	248 mm	254 mm	305 mm	508 mm	578 mm	711 mm
C (BSPT)	1"	1"	1.5"	2"	2"	2"
WEIGHT (kgs)	12.7	15.4	27.3	68.2	112.2	168.2



Pressure drops are based on kerosene at 2.4 cS for strainers with 80 mesh screen.

STEEL STRAINERS

SIZE	2.5" (65 mm)	3" (75 mm)	4" (100 mm)	6" (200 mm)	8" (250 mm)	10" (250 mm)
A	216 mm	241 mm	292 mm	406 mm	495 mm	622 mm
B (Screen removal)	360 mm	360 mm	380 mm	570 mm	700 mm	820 mm
WEIGHT (kgs)	20	27	40	69	110	180



Cobham Fluid Systems Limited

Holland Way, Blandford Forum, Dorset, England. DT11 7BJ
 Tel: 44 (0)1258 486600 Fax: 44 (0)1258 486601
www.cobhamfluidsystems.com
sales@cobhamfluidsystems.com

Copyright: Cobham Fluid Systems.

This publication provides outline information only, which (unless agreed by the Company in writing) may not be used, applied or reproduced for any purpose or form part of any order or contract or be regarded as a representation relating to the products or services concerned. The Company reserves the right to alter without notice the specification, design, price or conditions of supply of any product or service.

A Flight Refuelling company



A Collective Member of

